

# SENTINEL A60

## Auto-Darkening Welding Helmet



SENTINEL A60

### Welding Processes

- Oxy Fuel Cutting
- Plasma Cutting
- Grinding
- Welding, GMAW (MIG/MAG)
- Welding, GTAW (TIG)
- Welding, PAW -Plasma Arc Welding
- Welding, SMAW/MMA (Stick)

Sentinel A60 welding helmet is taking your welding to the next level with a huge panoramic view and perfect 1/1/1/1 EN optical clarity. Now you'll have an even wider view of the weld pool without any distortion.

The reengineered auto-darkening filter (ADF) features a new OpTCS™ broad-spectrum light control technology from ESAB. This delivers an enhanced True Color view with reduced eye fatigue for the most demanding days on the job. New 0.5 increment shade adjustments give you more precise control of your view.

The signature shell design of Sentinel, fully-adjustable Halo™ headgear, and external grind mode button complete the most comfortable, highest performance helmet ESAB has ever produced.

- ADF viewing area: 118 x 71 mm (4.65 x 2.80 in.) and intuitive internal ADF controls including sensitivity and delay
- Shade range: DIN 3/5–13, adjustable in 0.5 increments and ADF a shade lock setting
- ESAB OpTCS True Color Lens Technology
- On-board memory for up to 9 settings
- Arc sensors: 4
- Fast switching time of 0.04 millisecond
- Replaceable CR2450 battery
- Low battery, grind mode and shade lock LEDs

Visit [esab.com](http://esab.com) for more information.



*Advanced CE 1/1/1/1 ADF technology with a simple interface and clear graphic display.*



*Compact shell with optional amber-colored protective outer lens.*

# SENTINEL A60

Specifications	
Viewing Area	118 x 71 mm (4.65 x 2.8 in.)
Active Lens Shade	5–13 (Adjustable in 0.5 shade increments)
Passive Lens Shade	3
Power Supply	2 CR2450 batteries, replaceable
Arc Sensors	4
Switch Time (Light to Dark)	0.04 millisecond
Switch Time (Dark to Light)	Digitally adjustable from 0.1 to 0.9 second
CE Optical Classification	1/1/1/1
Standards and Certifications	CE: EN175; EN379; EN166   ANSI: Z87.1   CSA: Z94.3   AS/NZS 1338.1   ISO 16321 +TIG
Weight	644 g (1.4 lbs)

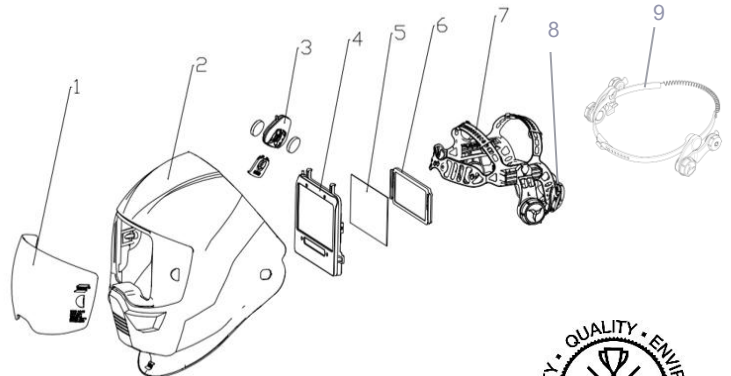
Ordering Information	
Description	Part Number
Sentinel A60 Helmet	0700600860

Delivery includes: Full helmet assembly, 2 replacement inner lenses, 4 replacement outer lenses, carry bag, durag and safety manual.

Spare Parts		
1	Sentinel A60 Front Cover Lens – Clear	0700600880
1	Sentinel A60 Front Cover Lens – Amber	0700600881
1	Sentinel A60 Front Cover Lens - Clear HC *	0700600882
1	Sentinel A60 Front Cover Lens – Amber HC *	0700600883
2	Sentinel A60 Helmet Shell	0700600863
4	Sentinel A60 Auto Darkening Filter ADF (excl. batteries)	0700600865
5	Sentinel A60 Inside Cover Lens	0700600866
7	Savage A50 LUX / Sentinel A60 Halo Headgear	0700600867
8	Savage A50 LUX / Sentinel A60 Occipital Pad	0700600884
9	Savage A50 LUX / Sentinel A60 Universal Hard Hat Adapter	0700600871
	Savage A50 LUX / Sentinel A60 Front Sweat band	0700600869
	Sentinel A60 Magnifying Lens +1.0 diopter **	0700600872
	Sentinel A60 Magnifying Lens +1.5 diopter **	0700600873
	Sentinel A60 Magnifying Lens +2.0 diopter **	0700600874
	Sentinel A60 Magnifying Lens +2.5 diopter **	0700600875

\* HC Lenses include an anti-scratch hard coat for longer life.

\*\* Magnifying Lenses are optional accessories not included with the complete helmet. The magnifier bracket is included with these lenses.



ESAB / esab.com

